

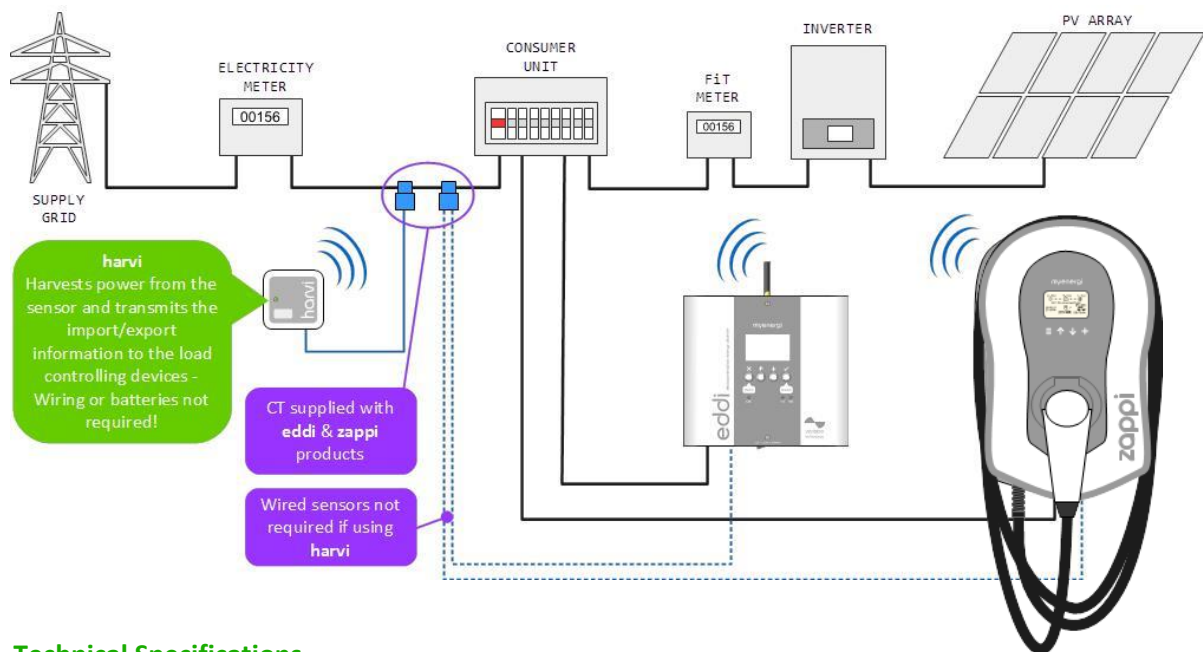
harvi

Energy harvesting wireless sensor

harvi is a clever little device that enables the **zappi** and **eddi** products to be installed without using a wired current transformer (CT) for measuring the grid and or generation power; instead the CT is connected to **harvi**. No power source is needed for **harvi** - the energy from the CT is harvested and used to transmit the measurement signal to the **zappi** or **eddi**. This means batteries or electrical wiring are eliminated!



- Wireless power sensor
- Energy harvesting – no batteries or electrical wiring required
- Uses standard CTs supplied with **eddi** & **zappi** products
- 3 CT inputs for 3-phase supplies
- Grid / Generation / Storage measurement configurable
- Fast & accurate measurement
- Wall mountable



Technical Specifications

CT Inputs	3 inputs enable 3-phase or multi-point power measurement
Measurement Range	25W to 15kW (50Hz AC, import and export)
Energy Harvesting Range	0.2A to 65A (including reactive current)
Accuracy	2.5% typical
Transmission Rate	1s @ 1A+, <10s @ 0.5-1A, <30s @ <0.5A
Wireless Interface	868 MHz (proprietary protocol)
Mounting Location	Indoor only (can be housed in an IP rated plastic box if required)
Operating Temperature	-30°C to +50°C
Dimensions	86 x 86 x 25.5mm